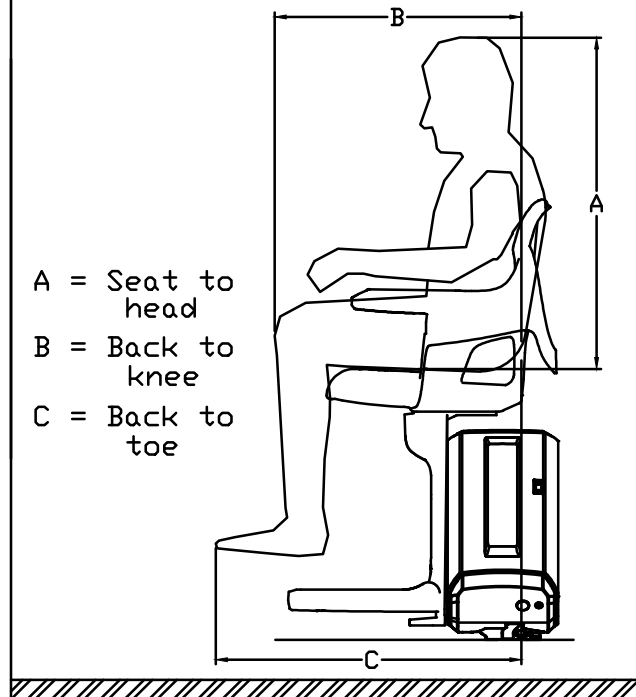
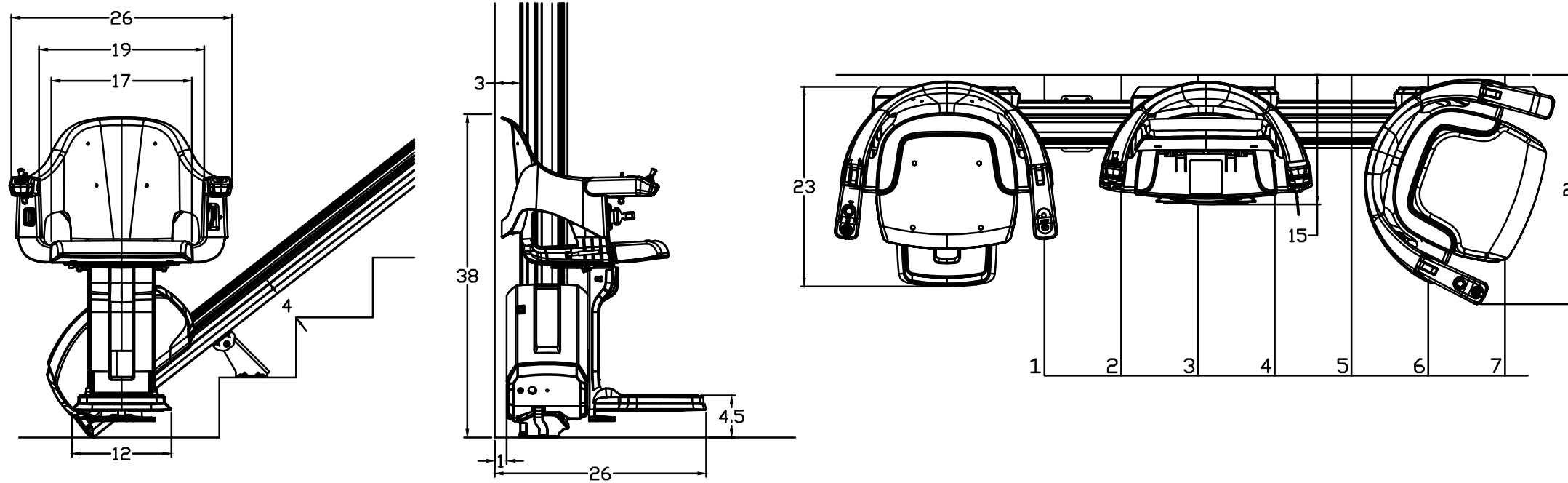


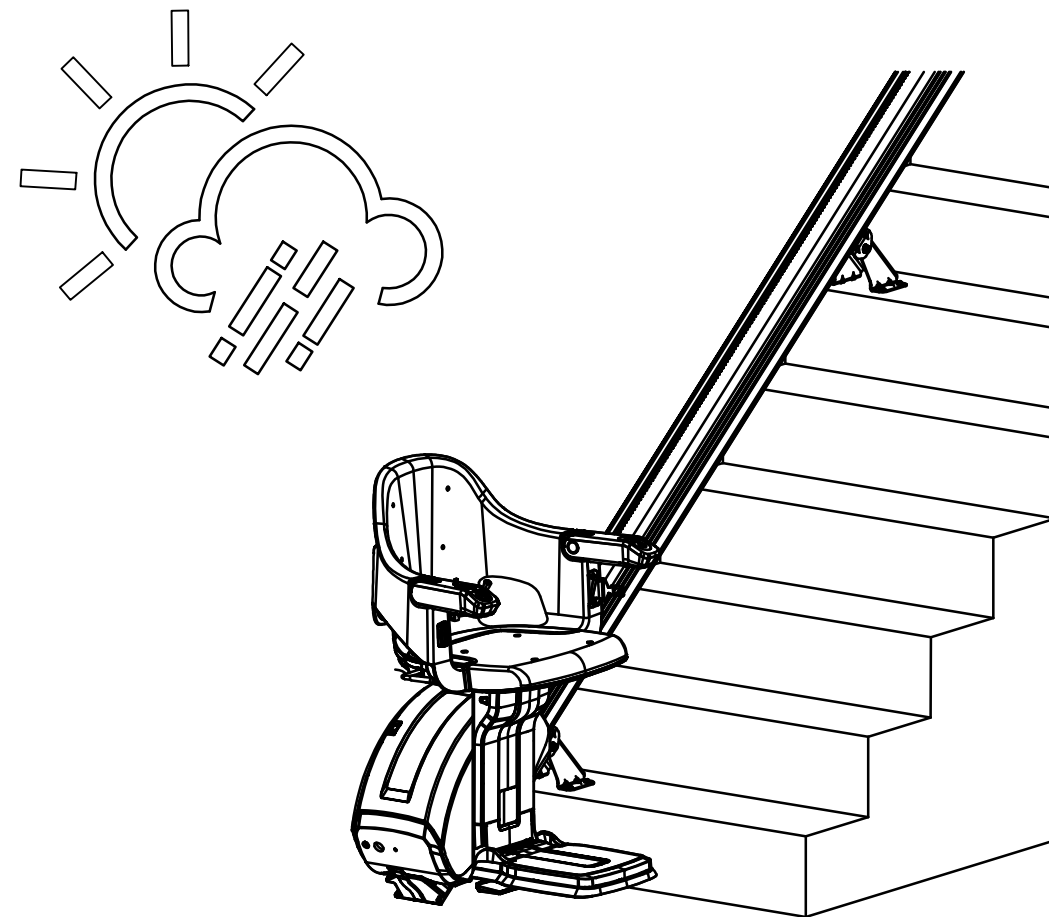
Chair Dimensions

User Dimensions



Specification

Max Speed	0.12 m/s (23.6ft/min)
Drive Type	Rack and pinion
Motor Wattage	280 W
Weight Capacity	160kg (350lb) at max 45° 136kg (300lb) at max 53°
Batteries	2 x 12V 9Ah
Operation	Joystick control
Staircase Incline	28° up to 53° (up to 45° for use in 160kg range)
Certification	Machine Directive 2006/42/EC, EN 81-40:2020, UKCA
Automatic Stop	Yes
Footrest	Yes
Retractable Seat Belt	Yes
Ambient Temperature Outdoor	5°F to 122°F
Relative Humidity Outdoor	0 - 100%
Armrest Detection	Yes
Emergency Stop	Yes
Seatbelt Detection	Yes
Outdoor Protection	Yes + outdoor cover
Power Swivel	No
Power Linked Footrest	No
Adjustable Seat Height	No
Key Lock	Yes
Call Device	Optional
Folding Rail	No



Can fit on staircases as narrow as 29 inches

98 inch rail assembly
 * bracket placement dependant on step positions *



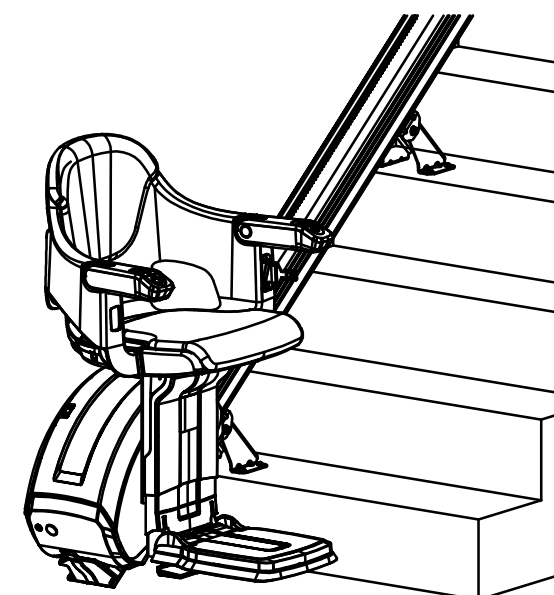
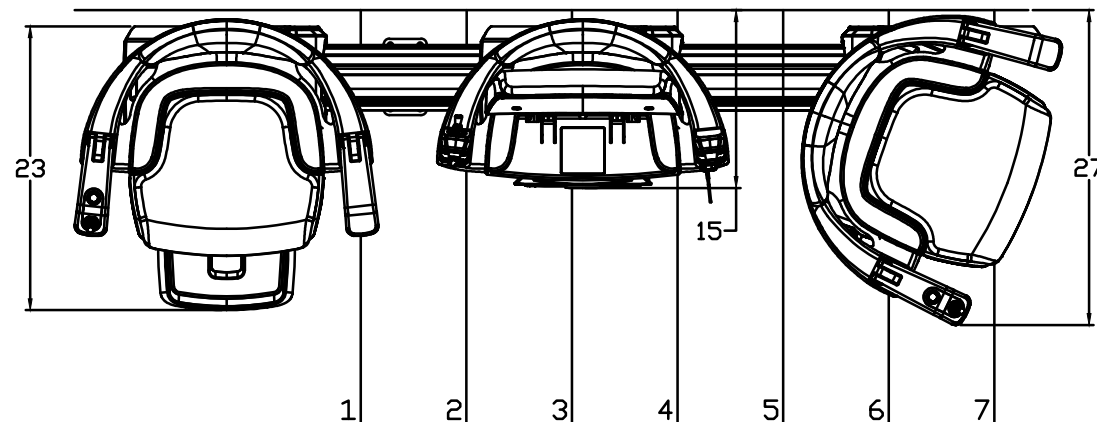
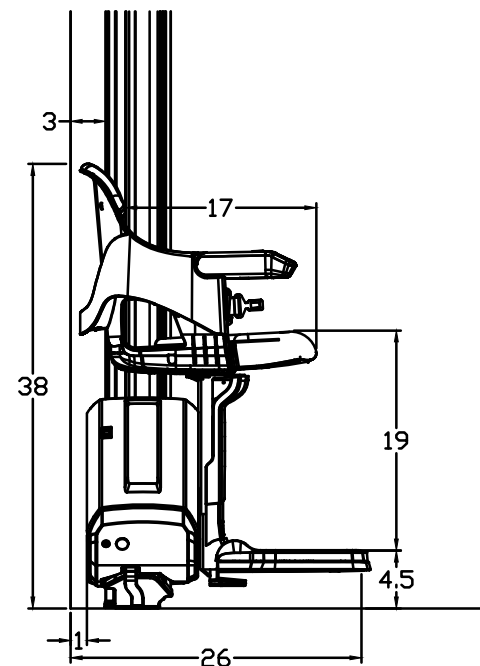
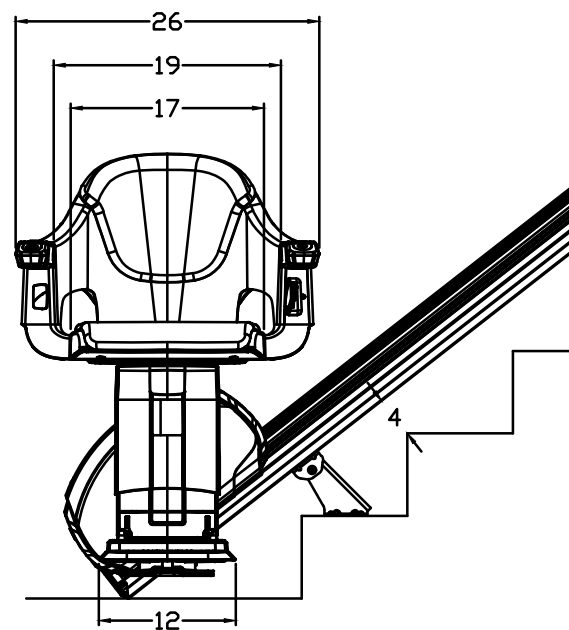
ACCESS
 UNIT E3, EAGLE COURT
 DE HAVILLAND AVENUE
 PRESTON FARM BUSINESS PARK
 STOCKTON TS18 3TB
 TEL: 01642 853650

HomeGlide Outdoor Technical Information

ISO 2768-cl
 All measurements in inches

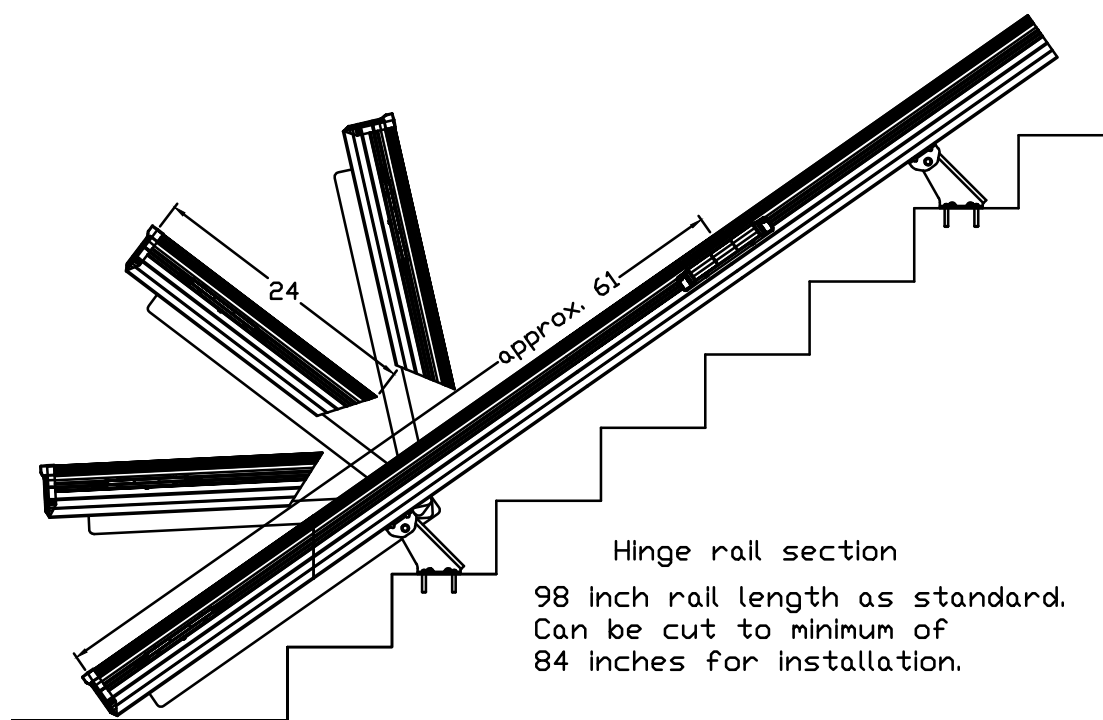
Page 3
 Version 1.0
 SCALE N.T.S.

Chair Dimensions



Specification

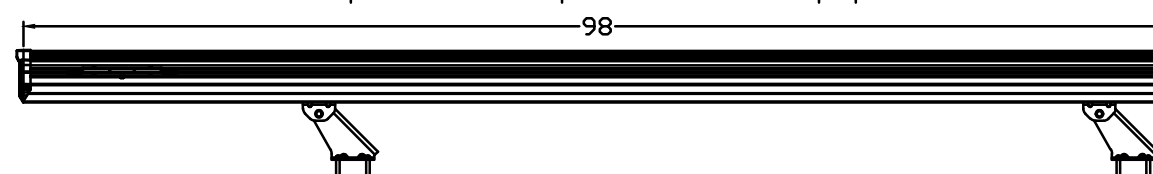
Max Speed	0.12 m/s (23.6ft/min)
Drive Type	Rack and pinion
Motor Wattage	280 W
Weight Capacity	160kg (350lb) at max 45° 136kg (300lb) at max 53°
Batteries	2 x 12V 7Ah
Operation	Joystick control
Staircase Incline	28° up to 53° (up to 45° for use in 160kg range)
Certification	Machine Directive 2006/42/EC, EN 81-40:2020, UKCA
Automatic Stop	Yes
Footrest	Yes
Retractable Seat Belt	Yes
Ambient Temperature Indoor	23°F to 122°F
Relative Humidity Indoor	20 - 80%
Armrest Detection	Yes
Emergency Stop	Yes
Seatbelt Detection	Yes
Vinyl Seat Upholstery	Yes
Power Swivel	Yes
Power Linked Footrest	Yes
Adjustable Seat Height	Yes
Key Lock	Yes
Call Device	Optional
Folding Rail	Optional



Hinge rail section
98 inch rail length as standard.
Can be cut to minimum of 84 inches for installation.

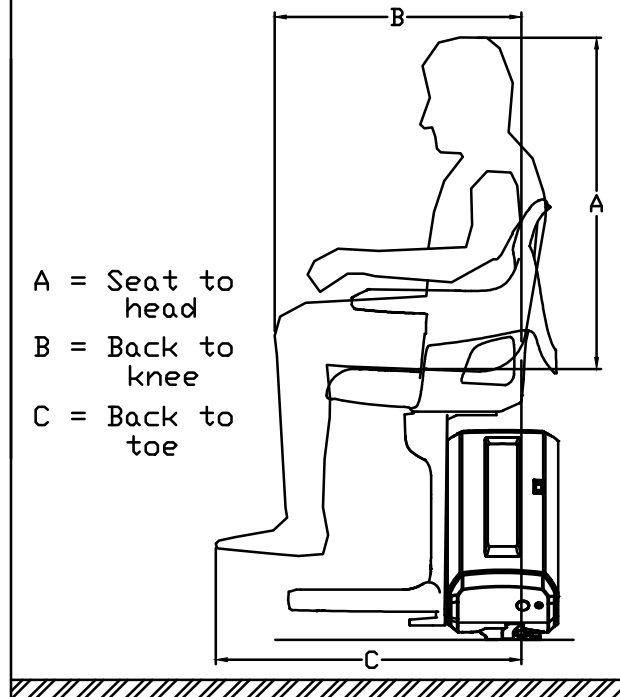
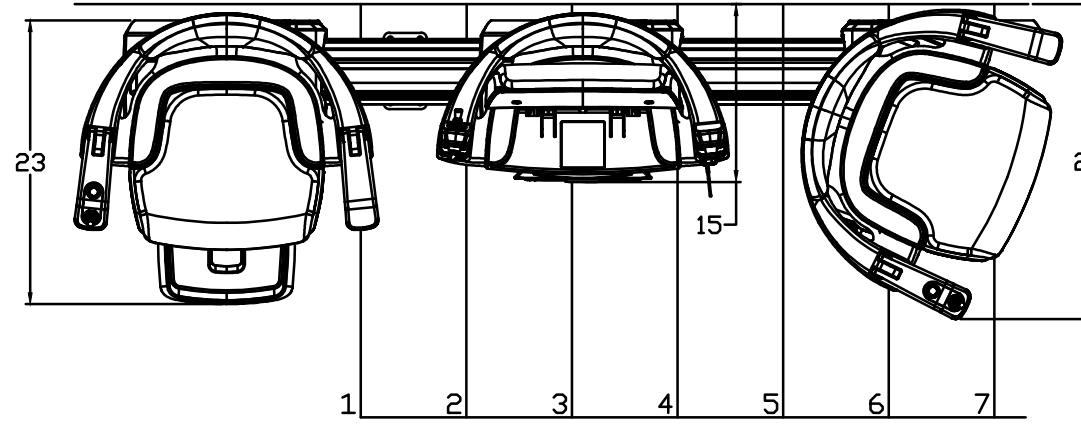
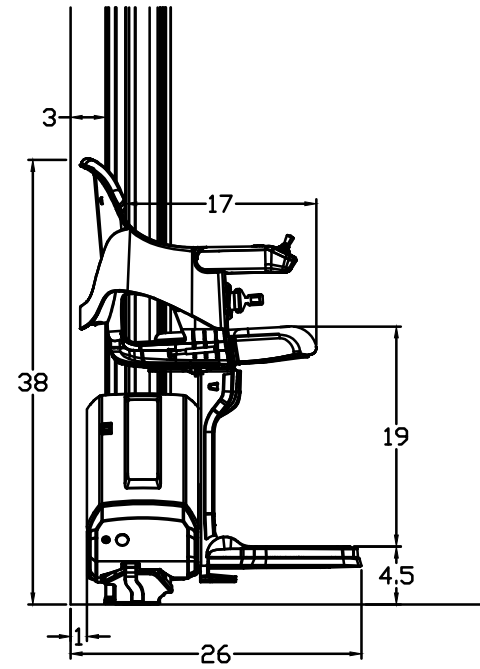
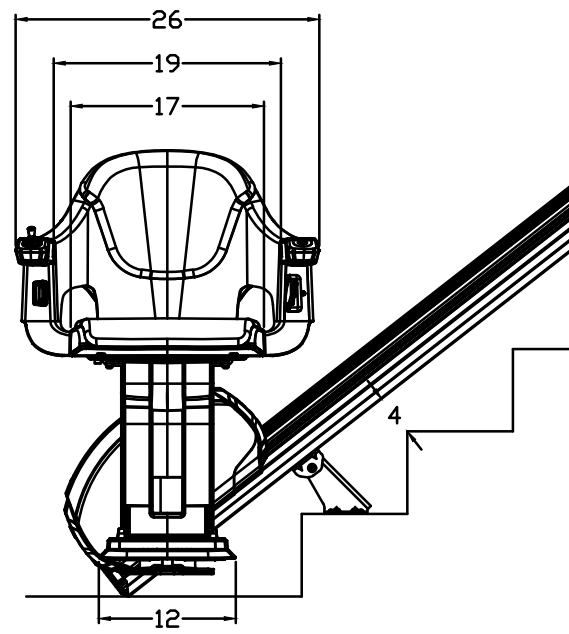
Can fit on staircases as narrow as 29 inches

98 inch rail assembly
* bracket placement dependant on step positions *



Chair Dimensions

User Dimensions



Specification

Max Speed	0.12 m/s (23.6ft/min)
Drive Type	Rack and pinion
Motor Wattage	280 W
Weight Capacity	160kg (350lb) at max 45° 136kg (300lb) at max 53°
Batteries	2 x 12V 7Ah
Operation	Joystick control
Staircase Incline	28° up to 53° (up to 45° for use in 160kg range)
Certification	Machine Directive 2006/42/EC, EN 81-40:2020, UKCA
Automatic Stop	Yes
Footrest	Yes
Retractable Seat Belt	Yes
Ambient Temperature Indoor	23°F to 122°F
Relative Humidity Indoor	20 - 80%
Armrest Detection	Yes
Emergency Stop	Yes
Seatbelt Detection	Yes
Vinyl Seat Upholstery	Yes
Power Swivel	No
Power Linked Footrest	No
Adjustable Seat Height	No
Key Lock	No
Call Device	Optional
Folding Rail	Optional

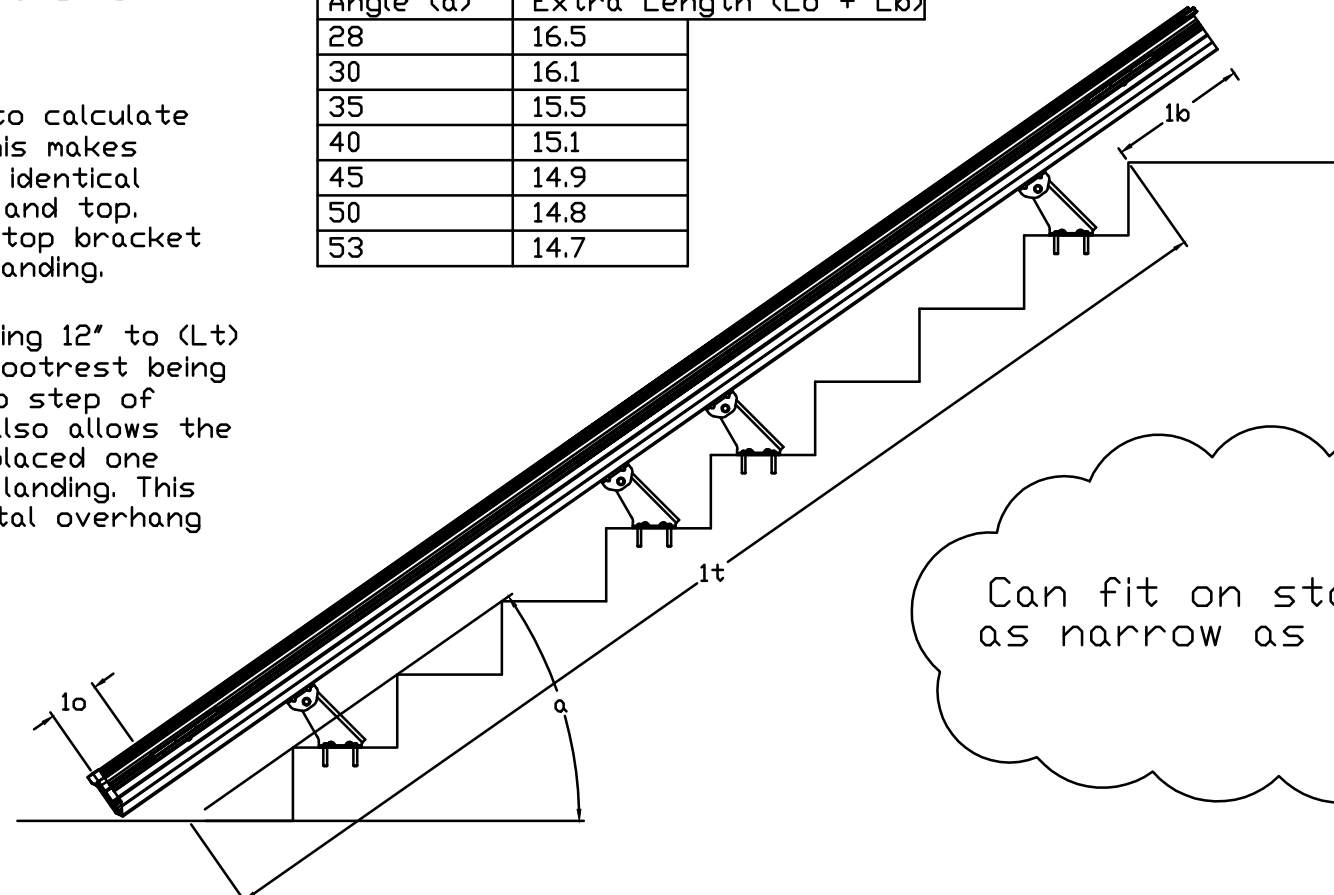
Measure nose to floor (Lt)

Take angle of the stairs to determine (Lo + Lb)

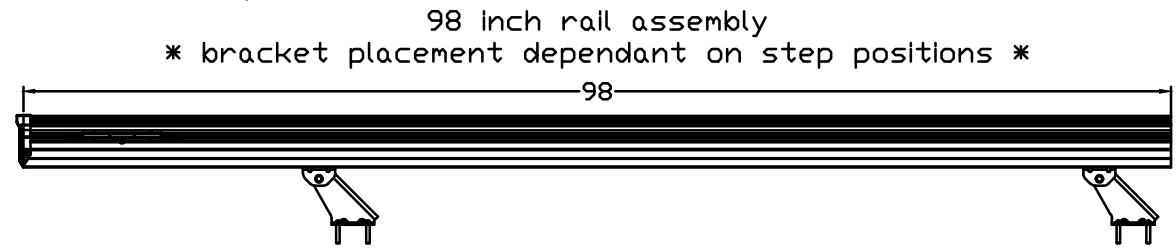
By using this table to calculate the extra length, this makes the footrest height identical at both the bottom and top. This also makes the top bracket to be fixed on the landing.

Alternatively, by adding 12" to (Lt) results in the the footrest being slightly over the top step of the staircase. This also allows the top bracket to be placed one step down from the landing. This reduces the horizontal overhang of the rail upstairs.

Angle (α)	Extra Length (Lo + Lb)
28	16.5
30	16.1
35	15.5
40	15.1
45	14.9
50	14.8
53	14.7



Can fit on staircases as narrow as 29 inches



ACCESS

UNIT E3, EAGLE COURT
DE HAVILLAND AVENUE
PRESTON FARM BUSINESS PARK
STOCKTON TS18 3TB
TEL: 01642 853650

HomeGlide Standard Technical Information

ISO 2768-cl All measurements in inches

Page 1
Version 1.0
SCALE N.T.S.